

AIR SAFE

**Ball Mount
Installation/Operation
Instructions
CLASS IV
1-866-41 HITCH**

AIR SAFE

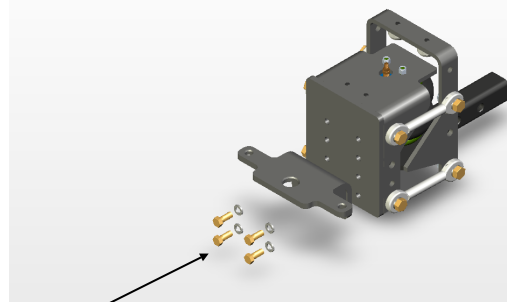
AIR SAFE™

AIR SAFE™

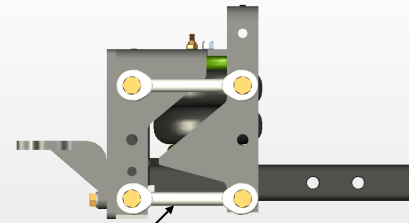
The following instructions should be used to mount **AIRSAFE™ AIR RIDE HITCH® only**. **Please read and follow instructions before installation.** Failure to follow instructions may void the manufacturer's warranty. Max TW 1,000lbs/Max GTW 10,000lbs.

1. (A) **CLASS IV HITCH-** The ball mount plate has eight ½" drilled and tapped holes to receive the ball mount in a variety of positions.
 1. Slide the hitches 2" receiver shank into the towing vehicles 2" receiver tube. (If lose insert optional shim until fit is tight)
 2. Install pin keeper and keeper ring (neither provided).
 3. Inflate hitch to about 40 lb. of air pressure. Line vehicle with trailer and determine position of ball mount plate. After this is done install ball mount plate into position, and torque to at least 55ft-lbs not to exceed 75ft-lbs (When tightening bolts, it may require the bolts to be driven in twice to remove excess paint on internal threads). Mount the ball on the ball mount plate. The ball must have a 1-1/4" shaft to fit in the hole provided. Now attach and secure trailer to hitch. Inflate or deflate hitch until you have about 1/2" to 3/4" Space between hitch and the top bumper stops. If trailer is not level with vehicle a weight distribution system is recommended.
 4. Attach safety chains to vehicle, not hitch. Hook up brake lines, plug up lights and take care of any other safety items.
 5. To unhitch the trailer, use trailer jack to raise tongue and unhitch.
6. **NOTE** If you use ball mount upside down or if you are using extended ball mount or weight distribution bracket. You need to derate your hitch by 25%.

CAUTION: Do not over- inflate the air springs. Never exceed 100 PSI. Add only enough air in the air springs to level the tie rods.



Insert 4 Bolts to Ball Mounting Plate and torque at least 55ft-lbs and not to exceed 75ft-lbs.



Ensure sufficient air is in hitch.

AIR SAFE

AIR SAFE™

**WEIGHT
DISTRIBUTION
INSTALLATION
INSTRUCTIONS
1-866-41 HITCH**

AIR SAFE

AIR SAFE™

The following instructions should be used to mount AIRSAFE™ AIR RIDE HITCH® only. Please read and follow instructions before installation. Failure to follow these instructions may void the manufacturer's warranty.

1. The ball mount plate has eight ½” drilled and tapped holes to receive the weight distribution bracket in two positions. For optimum position the bracket is mounted downward in the two middle holes and two bottom holes of the mounting plate. (If additional height is needed, the weight distribution bracket can be moved back up to the top position and mounted in the two top and middle holes of the mounting plate. This will provide a total movement of 1-3/4 inches). Once the bracket position has been selected then the bolts should be unscrewed from the plate. The weight distribution bracket is held in position; insert the bolts, with lock washers inserted. Torque the bolts to at least 55ft-lbs not to exceed 75ft-lbs. Now attach the weight distribution trunion (with the hitch ball mounted) to the weight distribution bracket, using the top third and sixth holes of the weight distribution bracket. This puts the base of the ball in line with the center of the hitch. If the ball needs to be lowered, the trunion can be lowered one hole at a time.
2. Slide the hitch's 2” shank into vehicle's 2” receiver tube depending on class of hitch (below shown with Class IV). Install pin and pin keeper (neither provided) into place.
3. Attach trailer to trunion ball and lock the trailer hitch into position.. Now lift up trailer using the trailer jack until the vehicle and trailer tongue are level.
4. Attach the trunion bars per manufacture's instructions and guidelines. **CAUTION:** Do not exceed the manufacture's guidelines. Do not over – tighten the trunion bars. Now inflate or deflate air spring to ensure tie rods are level/horizontal =.
5. Attach safety chains, hook up brake lines, plug up lights and take care of any other safety items.

- To unhitch the trailer, use the trailer jack to raise the tongue and hitch. Using manufacture's guidelines, remove the trunion bars.



Insert 4 bolts and torque to 55ft-lbs not to exceed 75ft-lbs.

AIR SAFE RECEIVER HITCH SYSTEM **LIMITED 2 YEAR WARRANTY**

The Air Safe Receiver Hitch System is warranted against defects in material and workmanship under normal use and service, ordinary wear and tear excepted, for 2 years from the first date of purchase at retail. Any part found to have a defect in material or workmanship, will be repaired or replaced at the manufacturer's option when returned with transportation charges prepaid. Include a copy of the original sales receipt when returned for warranty. This warranty does not cover the condition, durability or appearance of the finished product.

If the hitch is damaged as a result of improper installation, alteration, vehicle accident, misuse or unreasonable use, including but not limited to , loading the product beyond the factory rated load capacity, the manufacturer shall not be required to repair or replace such product. In every case, this warranty covers only the defective part and does not provide for reimbursement of the retail price of the part or labor charges.

The manufacturer shall not be liable for any incidental or consequential damages for breach of any express or implied warranty.

There are no warranties that extend beyond the description on the face hereof. The manufacturer is extending no other warranties, express or implied, nor any warranties of merchantability or fitness for a particular purpose. Any such warranties of merchantability or fitness for a particular purpose are expressly excluded.

This warranty is designed and intended to fully comply with the requirements of the Magnusson-Moss Warranty Act and all regulations issued by the Federal Trade Commission in connection therewith. It is not intended to violate any state law or regulation containing more stringent requirements, and such requirements automatically become part of this warranty insofar as required by that act.

The owner has available the legal remedies provided by the Magnusson-Moss Warranty Act, Public Law 93-637, 99 STAT. 2183-2193: 15 U.S.Code, Secs 23021-2312, and any applicable state statutes.

For warranty assistance, contact Air Hitch Technology at 1-866-41-HITCH (1-866-414-4824., weekdays 8:00 AM to 5:00 PM (Central).